

& Tradition

Guild ^{HM14-HM15}

Hvidt & Mølgaard

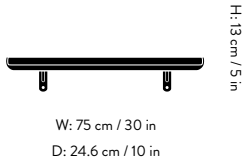
1954



Guild^{HM14}

Hvidt & Mølgaard

1954



Product description

Shelving

Environment

Indoor

Material
Solid oak or walnut and powder-coated aluminium.
This product has not been treated with any biocides.

Production process
Solid oak or walnut wood slats are cut, glued together and shaped using a CNC machine. The shelves are then hand-sanded and coated with water-based lacquer for a smooth finish. The aluminium brackets are cast and powder-coated.

Dimensions
W: 75 cm / 30 in
H: 13 cm / 5 in
D: 24.6 cm / 10 in

Weight
3 kg

Certifications



FSC® 100% & EU Ecolabel

Impact
- Uses FSC® certified wood, supporting responsible management of the world's forests.

Manufacturer
Produced in PRC by Nine United Limited

Cleaning Instructions
[Please see our Maintenance & Care instructions here](#)

→ **Stock items**
Available in stock



→ Oiled Oak



→ Oiled Walnut

Guild^{HM15}

Hvidt & Mølgaard

1954



W: 120 cm / 47 in
D: 27 cm / 11 in

H: 13 cm / 5 in

Product description

Shelving

Environment

Indoor

Material

Solid oak or walnut and powder-coated aluminium.
This product has not been treated with any biocides.

Production process

Solid oak or walnut wood slats are cut, glued together and shaped using a CNC machine. The shelves are then hand-sanded and coated with water-based lacquer for a smooth finish. The aluminium brackets are cast and powder-coated.

Dimensions

W: 120 cm / 47 in
H: 13 cm / 5 in
D: 27 cm / 11 in

Weight

4.7 kg

Certifications



FSC® 100% & EU Ecolabel

Impact

- Uses FSC® certified wood, supporting responsible management of the world's forests.

Manufacturer

Produced in PRC by Nine United Limited

Cleaning Instructions

[Please see our Maintenance & Care instructions here](#)

→ Stock items

Available in stock



→ Oiled Oak



→ Oiled Walnut

Recycling & Disassembly

Guild HM14-HM15

Recycling

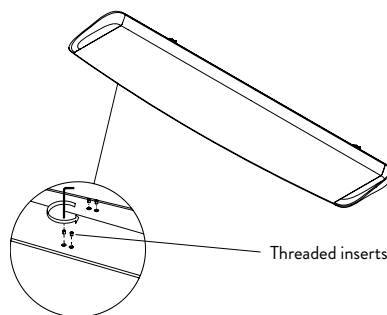
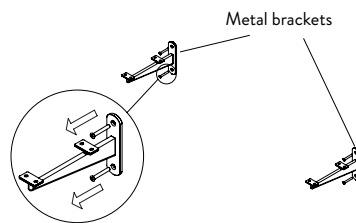
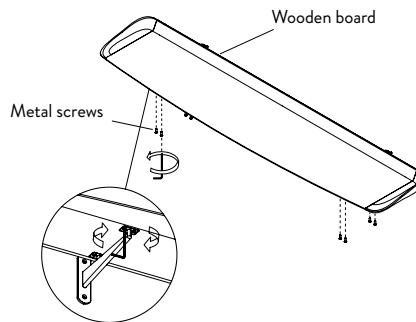
The Guild Shelf has been made to last and we hope it will serve you for many years. The shelf is made from solid wood and can be easily separated into its components and delivered to a suitable recycling depot.

Spare parts

To purchase spare parts for your Guild Shelf, please write to our sales support team at info@andtradition.com with your query.

5 year warranty

&Tradition provides a 5-year warranty with every Guild Shelf, which covers faults present at the time of purchase, or those which have occurred as a result of a manufacturing defect. The warranty is valid from the date stated on the original invoice.



Disassembly

1. Detach the wooden board from the brackets by removing the screws located underneath the board. To do so, use an Allen key and turn it counterclockwise.

2. To remove the brackets from the wall, unscrew the fasteners connecting each bracket to the wall as shown.

3. Finally, remove the threaded inserts from the wooden board by using a larger Allen key and turning it counterclockwise.