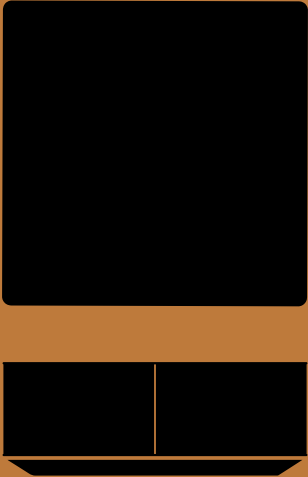


& Tradition

Develius Coffee Table ^{EV3}

Edward van Vliet

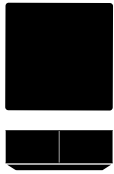
2026



Develius Coffee Table ^{EV3}

Edward van Vliet

2026



H: 35.5 cm / 14 in
D: 89 cm / 35 in

W: 89 cm / 35 in

Product description

Coffee table

Environment

Indoor

Material

Powder-coated steel.

Production process

A steel sheet is laser cut and powder-coated. The base goes through the same process but is also bent into shape.

Dimensions

H: 35.5 cm / 14 in

W: 89 cm / 35 in

D: 89 cm / 35 in

Weight

55 kg

Strength, durability and safety testing

EN 15372

Certifications



EU Ecolabel : DK/049/042

Gliders

Plastic gliders

Impact

- Framed in solid, powder coated steel, highly resistant against corrosion, helping prolong its lifespan.
- Steel is highly recyclable, able to be repurposed in another production cycle, reducing the demand for new material.
- Designed for circularity, making it easier to repair, renovate, pass on, and responsibly recycle at end of life.

Manufacturer

Produced in PRC by Nine United Limited

Cleaning instructions

Please see our [Maintenance & Care instructions here](#)



→ Ivory



→ Stone Grey

Recycling & Disassembly

Develius Coffee Table ^{EV3}

Recycling

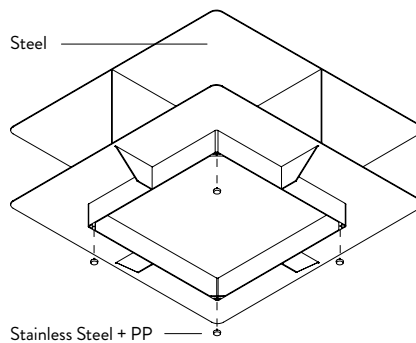
Your Develius coffee table is built to last and we hope that it will serve you for many years to come. The table is made from steel, and can be easily separated from its gliders. All metal parts can be separated and delivered to a suitable recycling station.

Spare parts

To purchase spare parts, please write to our sales support team at info@andtradition.com with your query.

5 year warranty

&Tradition provides a 5-year warranty with every Develius coffee table. This warranty covers any faults present at the time of purchase, or those that may have occurred as a result of a manufacturing defect. The warranty is valid from the date stated on the original invoice.



Disassembly

1. Unscrew the gliders.